



Self contained luminaire **Todino** IP65 amenity luminaire

Product Description

An IP65 vandal resistant semi-decorative amenity luminaire with an opal impact resistant polycarbonate diffuser and a high pressure die cast aluminium body. This energy efficient luminaire incorporates TC-D compact fluorescent lamps.

The Todino provides general illumination and is ideally suited to both internal and external application where high efficiency illumination is needed.

Product Features

- Ingress protection - IP65
- Silver or black die cast aluminium body
- Opal impact resistant polycarbonate diffuser with wall wash feature
- Tamper-proof corrosion resistant stainless steel screws
- Removable gear tray for ease of installation
- BESA box fixings
- Can be mounted on either walls or ceilings
- Mains and emergency versions available
- High frequency control gear as standard

Applications

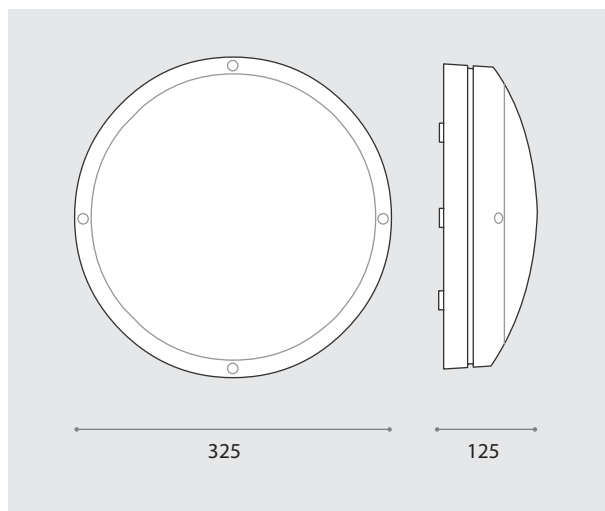
- Commercial premises
- Hotels
- Restaurants
- Reception areas, stairwells and corridors



Todino

IP65 amenity luminaire

Dimensions



Finishes

SL - Silver grey gallery

BL - Black gallery

Control Gear Options

HF - High Frequency

Emergency Options

AT - Auto test function

CT - Central test function

CB - Central battery slave unit

Order Codes

Order Code	Wattage	Lamp Type	Control Gear
EZTO/226/*	2 x 26	TC-D Compact Fluorescent	High Frequency
EZTO/226/M3/*	2 x 26	TC-D Compact Fluorescent one lamp operating in maintained emergency mode	High Frequency

* Add suffix for option and finish

EG. EZTO/226/M3/SL/CT 2x26 Watt compact fluorescent IP65 luminaire with a maintained emergency option, silver grey gallery and a central test function

escapezone 

escapezone Ltd

Unit 23, Red Lion Business Centre
Red Lion Road, Surbiton, Surrey KT6 7QD
Tel: 0208 391 9001 Fax: 0208 391 9002
Email: sales@escapezone.net
Web: www.escapezone.net