



Self contained luminaire

Tardo

IP65 amenity luminaire

Product Description

An IP65 vandal resistant semi-decorative amenity luminaire with an opal impact resistant polycarbonate diffuser and a high pressure die cast aluminium body. This energy efficient luminaire incorporates TC-D compact fluorescent lamps.

The Tardo provides direct illumination for both internal and external applications with a cut off eye lid and a wall wash feature which highlights architectural features.

Product Features

- **Ingress protection - IP65**
- **Silver or black die cast aluminium body**
- **Opal impact resistant polycarbonate diffuser with a wall wash feature**
- **Tamper-proof corrosion resistant stainless steel screws**
- **Removable gear tray for ease of installation**
- **BESA box fixings**
- **Can be mounted on either walls or ceilings**
- **Mains and emergency versions available**
- **High frequency control gear as standard**

Applications

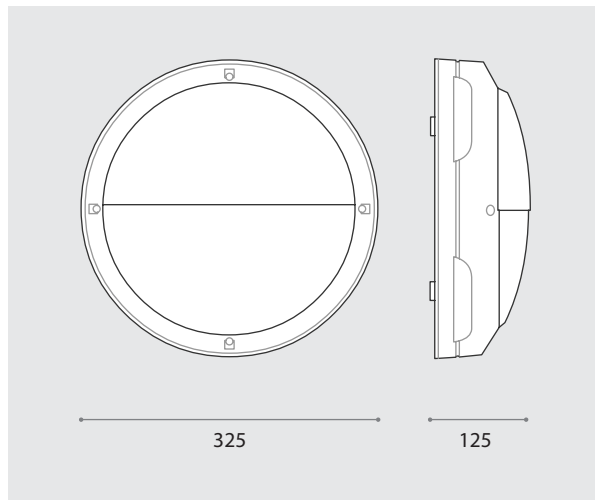
- **Commercial premises**
- **Hotels**
- **Restaurants**
- **Reception areas, stairwells and corridors**



Tardo

IP65 amenity luminaire

Dimensions



Finishes

SL - Silver grey gallery

BL - Black gallery

Control Gear Options

HF - High frequency

Emergency Options

AT - Auto test function

CT - Central test function

CB - Central battery slave unit

Order Codes

Order Code	Wattage	Lamp Type	Control Gear
EZTA/226/*	2 x 26	TC-D Compact Fluorescent	High Frequency
EZTA/226/M3/*	2 x 26	TC-D Compact Fluorescent one lamp operating in maintained emergency mode	High Frequency

* Add suffix for option and finish

EG. EZTA/226/M3/BL/AT 2x26 Watt compact fluorescent IP65 luminaire with a maintained emergency option, black gallery and an auto test function.

escapezone 

escapezone Ltd

Unit 23, Red Lion Business Centre
Red Lion Road, Surbiton, Surrey KT6 7QD
Tel: 0208 391 9001 Fax: 0208 391 9002
Email: sales@escapezone.net
Web: www.escapezone.net