



LED emergency
conversion kit

ModiLED 2

 **20mm**

 **110° beam**

Product Description

This kit consists of a 28mm 1 watt 110° LED optic together with a charger/driver module and battery for the conversion of a luminaire to operate in the emergency mode.

Product Features

- Compact low profile die cast aluminium housing with heat sink, incorporating a charge indicator LED
- Incorporates an extremely powerful 1 watt Luxeon LED
- Supplied in White RAL 9003 as standard, Silver RAL 9006 is also available
- 110° beam for maximum distribution
- Supplied with emergency module/driver and nickel metal hydride battery
- Three hour duration in power fail mode
- Can be housed in an optional remote box
- Manufactured in accordance with EN 60598-2-22
- Photometric data available



ModiLED 2

LED emergency conversion kit

Technical

Description - 1 Watt 110° LED Minispot
Thread Size - M16 x 1.5
Finish - SL - Silver WH - White
Beam Angle - 110°
Light Source - Luxeon 1 Watt
Light Source Colour - White
Cable Length - 300mm
Recommended Ambient Temperature - -30° to 50°C
Tc Max - 80°C LED backplate
Wiring Method - Series connection only
Fixing - Via M20 x 1.5 nut
Nominal Current - 350mA
Maximum Voltage - 4V DC
Emitter Luminous Flux - 32 Lumen (minimum)*
Colour Temperature - >6000K

* Please refer to office for latest output figures (subject to increase).

Distribution

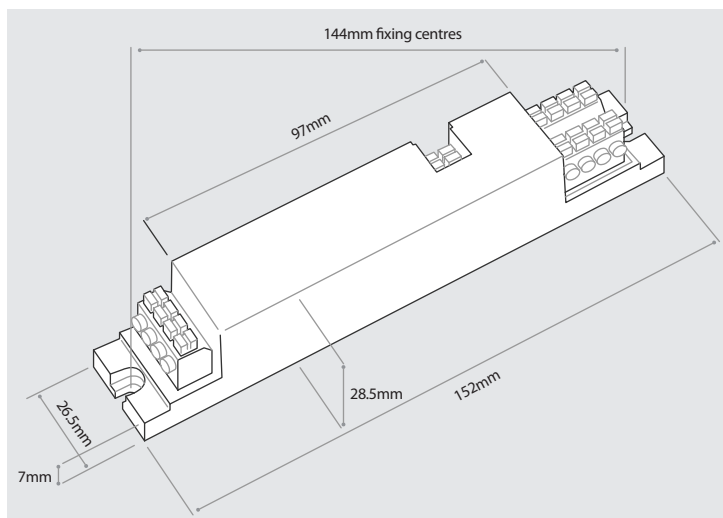
Maximum Spacing 0.2 LUX

Mounting Height (metres)	To Wall (metres)	Between Fittings (metres)
2.0	2.8	6.0
2.5	3.2	7.0
3.0	3.6	7.9
4.0	4.1	9.6
5.0	4.5	10.8

Maximum Spacing 1 LUX

Mounting Height (metres)	To Wall (metres)	Between Fittings (metres)
2.0	2.0	4.5
2.5		4.1
3.0		3.2
4.0		
5.0		

Module Dimensions



Finishes

WH - White
 SL - Silver

Module Specification

Battery - 3 x 2.1 Ah NiMH
Output Current - 350mA
Output Voltage - 3.6 Volts
Associated Load - 1 x Luxeon 1 Watt
Ballast Lumen Factor - 100%
Trickle Charge Current - 100mA
Discharge Current - 550mA max
Cut Off Voltage - 2.7V
Cell Type - LA
Tc Max Case Temp. - 70°C
Supply Voltage - 230 - 240V 50/60Hz
Operation Mode - Switchable Maintained / Non Maintained
Recharge Time - 24 Hours
Weight Grms - 205
Dimensions (mm) - 50 (long) x 33 x 33 x 33

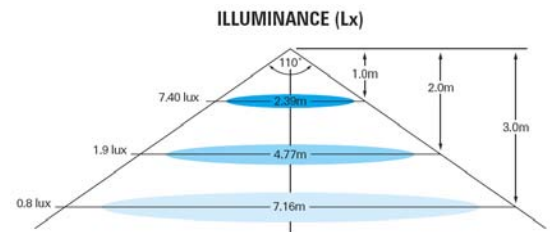
Battery Specification

Nickel Metal Hydride (NiMH) - 3 cell
Rating - 3.6 volts 4AH
Cell Type - LA
Part Number - EXBLA3C
Weight - 205 grams
Dimensions - 50 (long) x 33 x 33 x 33

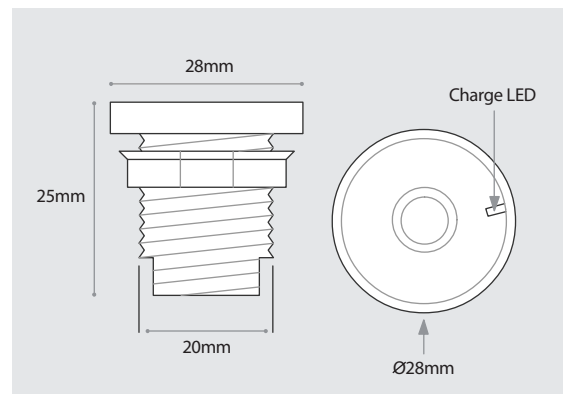
Part Number

EXLED/KIT2/*

*Add suffix for finish
 EG: EXLED/KIT2/WH White 1 watt LED emergency conversion module c/w battery and charge LED



Optic Dimensions



escapezone

escapezone Ltd

Unit 23, Red Lion Business Centre
 Red Lion Road, Surbiton, Surrey KT6 7QD
 Tel: 0208 391 9001 Fax: 0208 391 9002
 Email: sales@escapezone.net
 Web: www.escapezone.net