

Emergency
Conversion Equipment

High Capacity LED Conversion kit

Will drive up to 10 watt LED

Product Description

LED Emergency Conversion Kit consisting of module, battery and a green charge LED for the conversion of LED luminaires to operate in emergency mode.

Product Features

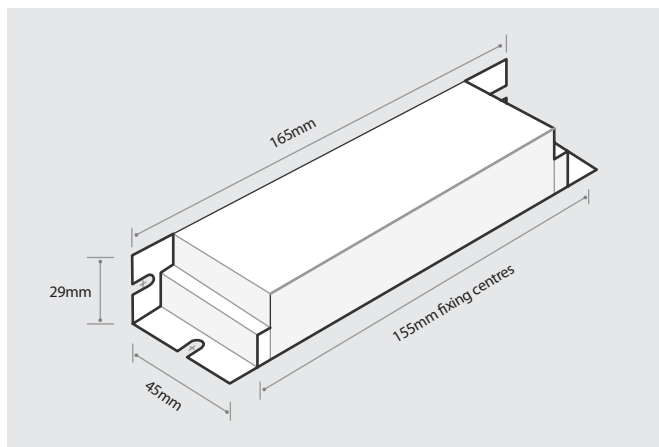
- Will operate between 1 and 9 one watt or 1 to 3 three watt Luxeon constant current loads, or similar
- Can be wired as maintained or non-maintained
- Kit consists of module/charger, battery set, and green charge LED
- Supplied with either Ni-Cd nickel cadmium batteries, Ni-Mh nickel metal hydride batteries available as an option.
- Supplied complete with Ni-Cd nickel cadmium batteries or Ni-Mh nickel metal hydride batteries
- Constant current LED emergency module
- Deep discharge protection
- Three hour duration in emergency mode
- Recharge period 24 hours



High Capacity LED Conversion Kit

Emergency Conversion Equipment

Dimensions



Technical Information

Mains supply voltage: 230 – 240 volt AC

Mains current: 50mA Max

Charge current: 200mA Nominal

Recharge period: 24 hours

Output current: Constant current

Voltage stability: +/- 5%

Order Codes for 1 watt LED down light and multiples

Luxeon (or similar) 1 Watt (350mA) LOAD			Number of 1 Watt Luxeon (or similar) emitters								
Pack	No. of Cells	LED Current (mA)	1	2	3	4	5	6	7	8	9
EZCK/LED/3/350A	3	350	✓	✓	x	x	x	x	x	x	x
EZCK/LED/3/350	3	250	x	(✓)	✓	x	x	x	x	x	x
EZCK/LED/4/350	4	350	x	(✓)	✓	x	x	x	x	x	x
EZCK/LED/4/300	4	300	x	(✓)	(✓)	✓	x	x	x	x	x
EZCK/LED/5/350	5	350	x	x	(✓)	✓	x	x	x	x	x
EZCK/LED/5/300	5	300	x	x	(✓)	(✓)	✓	x	x	x	x
EZCK/LED/6/350	6	350	x	x	(✓)	(✓)	✓	x	x	x	x
EZCK/LED/6/300	6	300	x	x	(✓)	(✓)	(✓)	✓	x	x	x
EZCK/LED/12V/350 + Power Pack	10	350	x	x	x	(✓)	(✓)	(✓)	(✓)	(✓)	✓

Luxeon (or similar) 3 Watts (700mA) LOAD			Number of 3 Watt Luxeon (or similar) emitters		
Pack	No. of Cells	LED Current (mA)	1	2	3
EZCK/LED/3/600	3	600	✓	x	x
EZCK/LED/4/700	4	700	✓	x	x
EZCK/LED/5/700	5	700	x	✓	x
EZCK/LED/6/700	6	700	x	(✓)	x
EZCK/LED/8/700 + Power Pack	8	700	x	x	✓

✓ Optimum Choice (✓) Possible Choice x Load not supported

Please note: The appropriate conversion module, and battery type should be ordered separately.

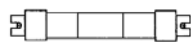
EG: EZM/LED/4/300/RBU 300 mA high capacity LED emergency kit consisting of module and green charge LED capable of driving four one watt Luxeon LED emitters housed in a remote enclosure.

High Capacity LED Conversion Kit

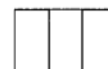
Emergency Conversion Equipment

Nickel Cadium Batteries

- Extra high temperature tolerance
- 4 year life, 55° C rated
- Welded connection between cells
- Manufactured in accordance with EN 60598-2-22



Type A
3 D cell stick
38mm x 35mm x 215mm
3.6 volts 4Ah



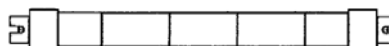
Type B
3 D cell plate
105mm x 35mm x 95mm
3.6 volts 4Ah



Type C
4 D cell stick
38mm x 35mm x 275mm
4.8 volts 4Ah



Type D
4 D cell stick
65mm x 35mm x 100mm
4.8 volts 4Ah



Type E
5 D cell stick
6.0 volts 4Ah



Type F
5 D cell plate
6.0 volts 4Ah

Battery Order Codes

Type	Part Number	Fixing Centres	Weight (Grms)
A	EZB/D3S	200mm	405
B	EZB/D3P	80mm	405
C	EZB/D4S	260mm	540
D	EZB/D4P	40mm x 32mm	540
E	EZB/D5S	325mm	675
F	EZB/D5P	40mm x 96mm	675
Ax2	EZB/D3Sx2	380mm	810
Cx2	EZB/D4Sx2	260mm	1080

Compact Nickel Metal Hydride Batteries

- Extra high temperature tolerance
- 4 year life, 55° C rated
- Welded connection between cells
- Manufactured in accordance with EN 60598-2-22

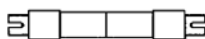


Battery Part Numbers

Type	Part Number	Fixing Centres	Weight (Grms)
G	EZB/LA2S	160mm	140
H	EZB/LA3T	N/A	205
J	EZB/LA3S	270mm	205

* Add suffix for battery required.

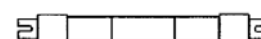
Eg: EZB/D4S 4x 'D' cell nickel cadium batteries rated at 4.8 volts 4Ah in stick format with mounting brackets



Type G
2 LA cell stick
26mm x 26mm x 176mm
2.4 volts 4Ah



Type H
3 LA triangular
36mm x 36mm x 36mm
3.6 volts 4Ah



Type J
3 LA cell stick
26mm x 26mm x 246mm
3.6 volts 4Ah

Accessory

LED module and battery can be incorporated within a remote box, add RBU to module part number.

Width	Height	Length	Fixing Centres	Cut Out
146mm	50mm	440mm	105mm x 385mm	150mm



escapezone →

escapezone Ltd

Unit 23, Red Lion Business Centre
Red Lion Road, Surbiton, Surrey KT6 7QD
Tel: 0208 391 9001 Fax: 0208 391 9002
Email: sales@escapezone.net
Web: www.escapezone.net