



Life-Line

surface theatre
emergency exit sign –
LED illuminated

Viewing Distance

43 Metres

Product Description

The Theatre surface LED emergency exit display luminaire has been specially developed for use in theatres, cinemas, and auditoriums where low ambient light levels and controlled light spill are required during performances and presentations, the 10mm thick edge lit green and black legends give reduced light output and have sealed edges to prevent light emission and glare.

The use of high efficiency LED technology combined with small high capacity batteries and miniaturised control circuitry assures an ultra-slim appearance.

Maintenance costs are reduced as LED lamp life is up to 80,000 hours and this light source is significantly more efficient than those used in conventional signs utilising an 8 watt T5 fluorescent tubes so reducing energy costs.

Product Features

- Latest LED lamp technology assures a compact stylish design and even legend illumination
- Up to 80,000 hours lamp life reduces maintenance costs
- Low power consumption reduces running costs
- First fix mounting plate for ease of installation
- Integral control gear mounted on base plate for ease of maintenance
- 10mm thick screen printed edge lit legends with sealed edges reduce light spill whilst maintaining a quality appearance
- Wide choice of finishes to suit the application
- Three hour emergency duration in the event of a mains failure



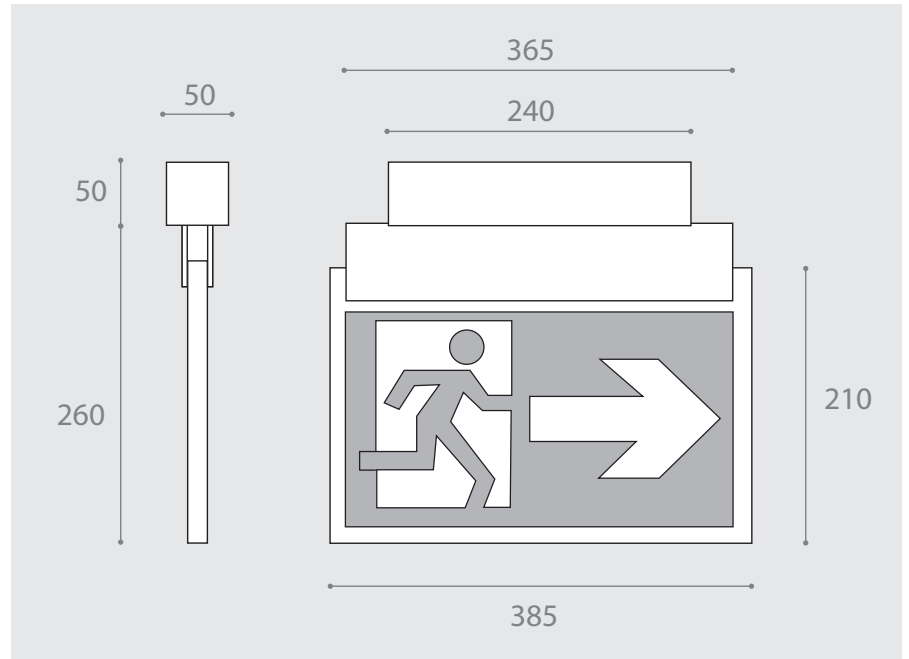
IP30

CE

F

830
°C

Dimensions



Installation



- Separate base plate for ease of mechanical installation
- Module and terminals are on the gear tray for simple electrical connection
- Sign and body can be retrospectively fitted prior to occupation so preventing damage

Luminaire - Part Numbers

Illuminated	Weight	Light Source	Mode	Duration
EZK/ST/365/M/*	2.2 kg	LED	Maintained	3 Hours
EZK/ST/365/NM/*	2.2 kg	LED	Non-Maintained	3 Hours

* Add finish code
i.e. EZK/ST/365/M/B for maintained surface theatre in black.

Legend Table - Part Numbers

Legend Size Width x Drop (mm)	Single Sided		
	Arrow Down	Arrow Left	ArrowRight
385 x 210	EZK/210/SD/B	EZK/210/SL/B	EZK/210/SR/B

Finishes

W	B	S	C	BR	SN
White RAL9010	Black RAL9005	Silver RAL9006	Polished Chrome	Polished Brass	Satin Nickel

Viewing Distance Information

The relationship between the size of the sign and viewing distance to an observer is defined by EN 1838 (BS5266 Part 7: 1999). For a given legend height the maximum viewing distance is calculated by the formula:

$D_{max} = h \times 200m$
(for internal illuminated signs)
D = viewing distance
H = pictogram legend height

Legend size Width x Drop (millimetres)	Viewing Distance (metres)
160 x 250	23
260 x 125	25
250 x 160	32
385 x 210	43

