



# Life-Line

fully recessed theatre  
emergency exit sign –  
LED illuminated

Viewing Distance

**25 Metres**

## Product Description

The Theatre fully recessed LED emergency exit display luminaire has been specially developed for use in theatres, cinemas, and auditoriums where low ambient light levels and controlled light spill are required during performances and presentations. The 10mm thick edge lit green and black legends give reduced light output and have sealed edges to prevent light emission and glare.

The use of high efficiency LED technology combined with small high capacity batteries and miniaturised control circuitry assures an ultra-slim appearance.

Maintenance costs are reduced as LED lamp life is up to 80,000 hours and this light source is significantly more efficient than those used in conventional signs utilising an 8 watt T5 fluorescent tubes so reducing energy costs.

## Product Features

- Latest LED lamp technology assures a compact stylish design and even legend illumination
- Up to 80,000 hours lamp life reduces maintenance costs
- Low power consumption reduces running costs
- Integral control gear on a removable gear tray for ease of maintenance
- Cover plate is invisibly fixed with unique magnetic fasteners
- Easily installed recessed control box with adjustable side support arms.
- 10mm thick screen printed edge lit legends with sealed edges reduce light spill whilst maintaining a quality appearance
- Wide choice of finishes to suit the application
- Three hour emergency duration in the event of a mains failure



IP30

CE

F

830 °C

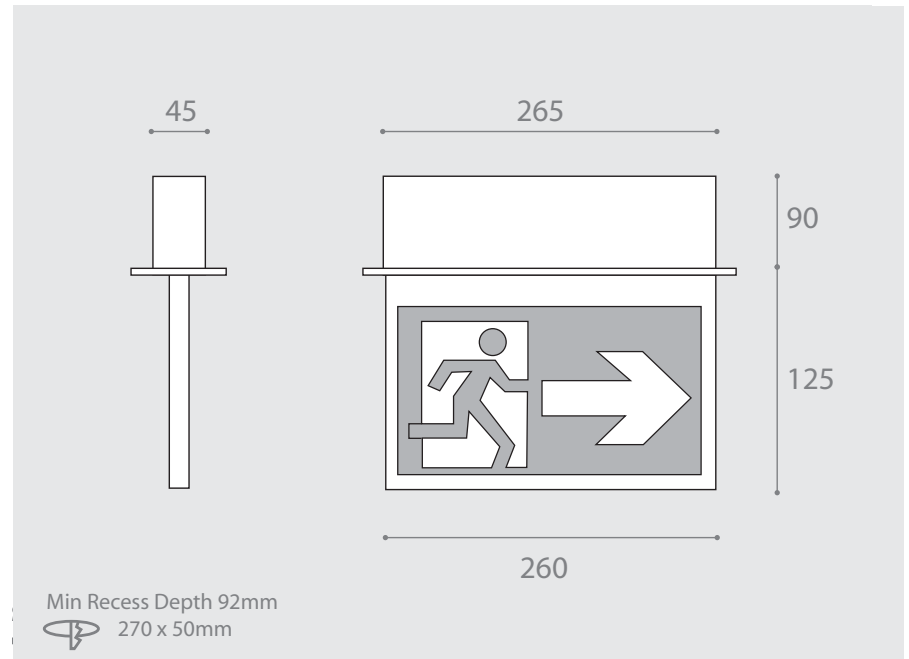
# Life-Line

Viewing Distance

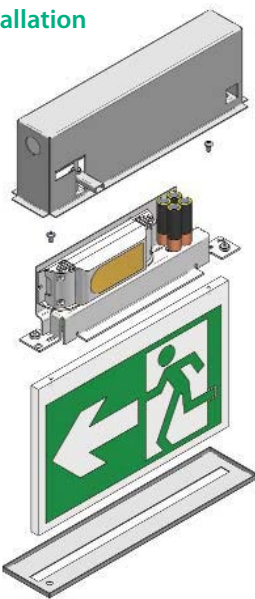
## fully recessed theatre emergency exit sign – LED illuminated

### 25 Metres

#### Dimensions



#### Installation



- Cover plate is fixed with invisible magnetic catches for improved visual effect
- Separate gear tray for ease of mechanical installation
- Module and terminals are on the gear tray for simple electrical connection
- Sign and body can be retrospectively fitted prior to occupation so preventing damage

#### Luminaire - Part Numbers

| Illuminated      | Weight | Light Source | Mode           | Duration |
|------------------|--------|--------------|----------------|----------|
| EZK/FRT/240/M/*  | 2.2 kg | LED          | Maintained     | 3 Hours  |
| EZK/FRT/240/NM/* | 2.2 kg | LED          | Non-Maintained | 3 Hours  |

\* Add finish code

i.e. EZK/FRT/240/M/B for maintained fully recessed theatre in black.

#### Legend Table - Part Numbers

| Legend Size Width x Drop (mm) | Single Sided |              |              |
|-------------------------------|--------------|--------------|--------------|
|                               | Arrow Down   | Arrow Left   | ArrowRight   |
| 260 x 125                     | EZK/125/SD/B | EZK/125/SL/B | EZK/125/SR/B |

#### Finishes

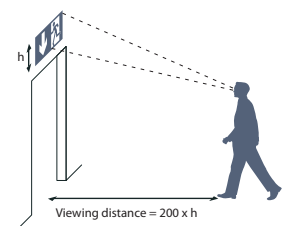
|               |               |                |                 |                |              |
|---------------|---------------|----------------|-----------------|----------------|--------------|
| W             | B             | S              | C               | BR             | SN           |
| White RAL9010 | Black RAL9005 | Silver RAL9006 | Polished Chrome | Polished Brass | Satin Nickel |

#### Viewing Distance Information

The relationship between the size of the sign and viewing distance to an observer is defined by EN 1838 (BS5266 Part 7: 1999). For a given legend height the maximum viewing distance is calculated by the formula:

$D_{max} = h \times 200m$   
(for internal illuminated signs)  
**D** = viewing distance  
**H** = pictogram legend height

| Legend size Width x Drop (millimetres) | Viewing Distance (metres) |
|--|---------------------------|
| 160 x 250                              | 23                        |
| 260 x 125                              | 25                        |
| 250 x 160                              | 32                        |
| 385 x 210                              | 43                        |



# escapezone

escapezone Ltd

Unit 23, Red Lion Business Centre  
Red Lion Road, Surbiton, Surrey KT6 7QD  
Tel: 0208 391 9001 Fax: 0208 391 9002  
Email: sales@escapezone.net  
Web: www.escapezone.net